



The Ultimate Rental Machine

The American Eagle combines versatility, product range, and price to deliver a machine that can deliver the maximum ROI for a rental store's specific requirements. Whether it's a 2WD or a 4WD vehicle, we can provide you with a rental machine manufactured to your exacting specifications.



If it's Off-Road, it has to be American Eagle!

You'll find ITL drive axles in the front of every American Eagle, combined with our own 2WD steer axles. Our axles come in a welded "box" style beam construction combined with heavy-duty spindles and hubs. These heavy-duty axles are built for durability and reliability to help keep the Master Craft running at optimum levels in punishing environments.

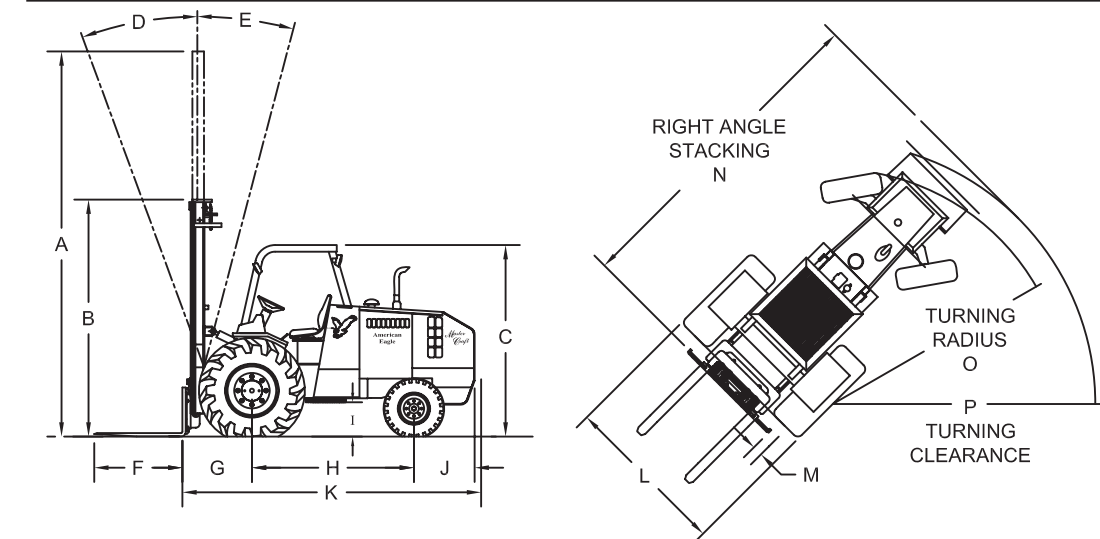
- ▲ Heavy-duty weldment casing
- ▲ Mounting pin oversized for heavy-duty use
- ▲ King pins, ball joints, mounting pin and tie rod can be easily lubricated
- ▲ 4WD on-demand standard for 4WD models
- ▲ 18° oscillation for steer axle
- ▲ Your choice of either powershift or powershuttle transmission

www.mastercraftforklift.com

American Eagle Specifications & Features

CAPACITY		6,000 - 8,000 @ 24" L.C.	
Operational Data: (Approximate)		12' Mast	21' Mast
A	Overall height mast extended	180	180
B	Overall height mast collapsed	108	108
C	Overall Height Top of Overhead Guard	100	100
D	Forward Tilt (In Degrees)	40°	40°
E	Rearward Tilt (In Degrees)	10°	10°
F	Length of Forks	48	48
G	C / L drive axle to face of forks	36	36
H	Wheelbase (2WD / 4WD)	84 / 87	84 / 87
I	Under Clearance:		
	Mast	12	12
	Drive Axle	17	17
Steer Axle	11	11	
J	Counterweight Overhang (2WD/4WD)	34 / 31	34 / 31
K	Overall Length to Face of Forks	148	149
L	Overall Width (19.5L x 24 drive tires)	87	87
M	Side Shift (Total)	6	6
N	Right Angle Stacking:		
	with brake (2WD/4WD)	173 / 172	173 / 172
O	Turning Radius:		
	with brake (2WD/4WD)	111 / 125	112 / 125
P	Turning Clearance:		
	with brake (2WD/4WD)	140 / 133	141 / 133
	without brake (2WD/4WD)	172 / 169	173 / 169

		WEIGHT (APPROXIMATE)					
		5,000 LB		6,000 LB		8,000 LB	
		w/144" Mast	w/252" Mast	w/144" Mast	w/252" Mast	w/144" Mast	w/252" Mast
2WD		12,760 Lbs.	14,680 Lbs.	13,360 Lbs.	14,840 Lbs.	15,540 Lbs.	16,600 Lbs.
4WD		13,360 Lbs.	15,280 Lbs.	13,960 Lbs.	15,440 Lbs.	16,140 Lbs.	17,200 Lbs.



ENGINE
 Make.....Perkins 4 Cyl. Turbo Diesels
 Displacement.....269 cu. in. (4.4 Liters)
 Gross HP.....99.9 @ 2200 RPM
 Max Torque.....289.1 @ 1400 RPM

TIRES
 Drive.....19.5L x 24 10 Ply Industrial Lug
 Steer 2WD.....11L x 16 8 Ply Laborer Tread
 Steer 4WD.....10.5/80x18 10 Ply Aggressive Tread

Transmission Oil.....13.0 Qts. (12.3 L)
 Hydraulic Oil.....80.0 Qts. (75.7 L)
 Fuel.....25 Gal. (94.6 L)

TRANSMISSION
 Type.....4 Speed Synchronesh with Power Reverse & Torque Converter.
 Independent High Capacity Oil Cooler
 Speed.....1 4.8 MPH (7.7 KM)
 2 7.7 MPH (12.4 KM)
 3 16.2 MPH (26.1 KM)
 4 26.4 MPH (42.5 KM)

BRAKES
 Service.....Hydraulic Actuated Wet Disc with Left & Right Independent Braking
 Parking.....Lever Operated with Disc Type Caliper on Transmission

NOTE: Our policy of continual engineering research and improvement makes it necessary that we reserve the right to make changes in designs, specifications and components without advance notice.

AXLES
 Drive.....ITL Double Reduction Matched Pinion & Bevel Gear with Outboard Planetary Gear & Final Reduction
 Steer 2WD.....MC Welded Box Style Beam Construction Combined with Heavy Duty Spindles and Hubs
 Steer 4WD.....ITL Spiral Bevel Input with Out-Board Planetary Gear Reduction Hubs & 48° Steering Angle

HYDRAULIC SYSTEM
 Pump.....Gear Type 2-Stage 30.5 GPM @ 2200 RPM
 Filter.....25 Micron Replaceable Element
 Control Valve.....3-Spool: Lift, Tilt & Side Shift

ELECTRICAL
 Volts.....12V
 Alternator.....55 Amp
 Instrumentation.....Gauge Cluster with Indicator Lamps

FLUID CAPACITIES
 Engine Oil.....11.2 Qts. (10.6 L)
 Cooling System.....16.0 Qts. (15.1 L)



Master Craft
INDUSTRIAL EQUIPMENT CORP.
 333 SOUTHWELL BLVD • TIFTON, GA 31794
 (229) 386-0610 • FAX (229)382-8482
 http://www.mastercraftforklift.com
 E-mail: masterce@bellsouth.net



Master Craft American Eagle

5000 Lbs - 8000 Lbs Capacity

Lifting the World to New Heights
 Unit shown may have optional features
www.mastercraftforklift.com

Master Craft

American Eagle



The American Eagle can also transport 2 pallets at once, again saving time and money!

Look at the American Eagle pick up 3 big rolls at once, saving time and money!



History of Master Craft

Master Craft has been in business since 1952. We started out as a metal stamping company in Detroit, Michigan. In 1976, the owner, Mr. John Haswell, designed and built the first true rough terrain fork lift in the industry. Up until that point fork lifts were nothing but turned around tractors with a mast on them. Mr. Haswell designed a fork lift with its own frame, not a tractor frame. That was over 30 years ago. Since, we have expanded our line of forklifts and our dealer network to over 200 dealers through out North America as well as several dealers throughout the world. We have continuously built high quality equipment at affordable rates for our customers. At master craft we are constantly changing with the ever changing world to lead the industry in innovation.

If you buy a Master Craft forklift, rest assured you are getting the best possible quality at the best possible price.

American Eagle at a Glance...

The Master Craft American Eagle has been the staple of our product line for many years. All though the over all look of the Eagle has changed over the years, there are many things that have stayed the same. Such as: the strength ,durability and quality. The American Eagle is used in several industries. Such as the Sod Industry, Agriculture Industry, Construction, Mining, oil fields, rental stores and this is just to name a few. One of Master Craft's greatest strengths is we have the ability to build to order. The reason we do this is to guarantee the customer gets exactly what he wants or needs. Not all our machines are cookie cutter or assembly line products *(like the other guys)*.

American Eagle Frames

The American Eagle frame can offer both strength and functionality for customers in both agricultural and industrial applications. We can manufacture machines with a 3/4" frame to cut down on weight. By doing this the American Eagle has a very "low footprint" that is gentle on the delicate turf grass. We also manufacture using 1" frames that can take abuse in industrial applications.

- ▲ 3/4" frame for Sod applications
- ▲ 1" frames for Industrial applications
- ▲ High ground clearance
- ▲ Low center of gravity
- ▲ Transportation tie downs

www.mastercraftforklift.com

Standard Equipment...

Operator's Control Center

- ▲ Standard Open 4-Post 360° Viewable Area
- ▲ Quick Apply/Release Park Brake Handle
- ▲ Hydraulic Controls Right of Steering Wheel for Easy Access
- ▲ Vinyl Covered Industrial Seat – Forward & Rearward Adjustable
- ▲ Retractable Seat Belt

American Eagle meets or exceeds all ANSI B56.6 design criteria, including Falling Object Protective Structures (FOPS)

Powertrain

- ▲ Perkins 4 Cylinder Diesel 99 hp Turbo Engine
- ▲ ITL 4 Speed Synchronesh Transmission
- ▲ ITL Limited Slip Differential Drive Axle

Optional Equipment...

- ▲ John Deere 4 Cylinder Diesel 99 hp Turbo Engine
- ▲ 4 Speed "Auto Shift" Powershift Transmission
- ▲ On-the-Fly Push Button Activated 4 Wheel Drive
- ▲ Murphy Engine Warning System
- ▲ Engine Block Heater
- ▲ Cyclonic Pre-Cleaner
- ▲ High Air Intake
- ▲ Deluxe Suspension Seat
- ▲ Four Work Light Option (2 Front, 2 Rear)
- ▲ Strobe Light
- ▲ Vandalism Package



Lifting the World to New Heights

Instrument Cluster

- ▲ Water Temp. Gauge
- ▲ Oil Pressure Gauge
- ▲ Fuel Level Gauge
- ▲ Volt Meter Gauge
- ▲ Hour Meter
- ▲ Park Brake Warning Light
- ▲ Transmission Oil Temp. Indicator

Mast

- ▲ High Visibility See Thru Mast
- ▲ High Strength I-Beam Mast Rails
- ▲ ITA Class II-IV Hook and Shaft Carriages
- ▲ Full Mast Side Shift (3" each direction)
- ▲ 40° Forward / 10° Rearward Tilt
- ▲ Internal Reeving
- ▲ 6 Carriage Rollers
- ▲ 4 Side Thrust Rollers
- ▲ Mast Impact Blocks

General Features

- ▲ 2 Front Work Lights and 1 Rear Work Light
- ▲ Hydrostatic Power Steering
- ▲ Neutral Safety Start
- ▲ Dual Element Dry Type Air Filter with Pre-Cleaner
- ▲ Back-Up Alarm

- ▲ Brake Activated Tail Lights, Turn Signals and Flashers
- ▲ Side Marker Lights
- ▲ Side and/or Rearview Mirrors
- ▲ Extra Side Thrust Rollers
- ▲ Lift Circuit Cushion Accumulator
- ▲ Fully Integrated Fork Positioner



RT Masts built in-house for QUALITY AND DURABILITY

American Eagle masts are manufactured in-house with high-strength I-beam rails for mast durability and high lift. Master Craft also ensures that all masts manufactured are "high" visibility see-thru masts.

- ▲ 10-16' 2 Rail (Full Free Lift Optional)
- ▲ 12-21' 3 Rail (Full Free Lift Optional)
- ▲ Entire Mast side shifts 3" left/right of center (6" total)
- ▲ ITA Class II – IV Hook Carriages
- ▲ ITA Class II – IV Shaft Carriages

Built to order... YOUR ORDER!

We offer many engine options for the American Eagle product Line, and this variety helps the company meet the demands of both the market and the consumer. We can offer you what engine you want, when you want.

- ▲ Perkins
- ▲ John Deere

Engines comply with non-road emissions regulations for U.S. Environmental Protection Agency (EPA) at time of build.



Master Craft
American Eagle



www.mastercraftforklift.com